

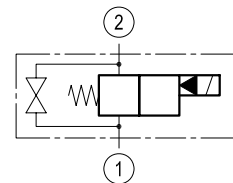
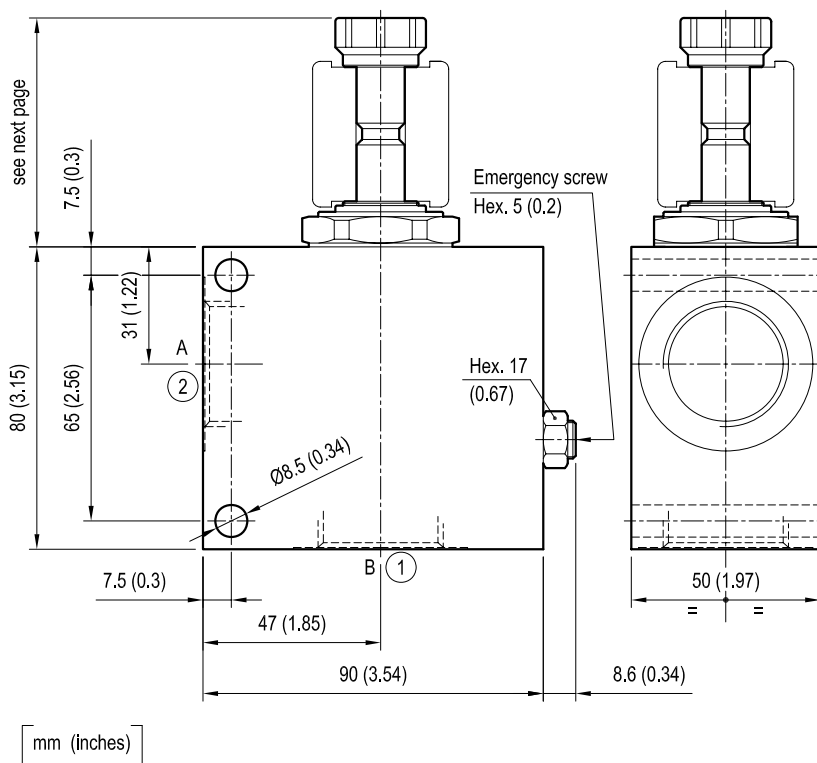
Solenoid operated valves 2-way 2-positions, normally closed

Special cavity
in emergency manifold

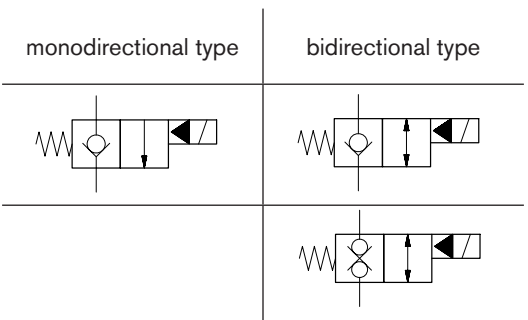
VEI-CE-8A-12

OE.15 - K - 21 - Y - Z - W

Dimensions



Cartridge schemes



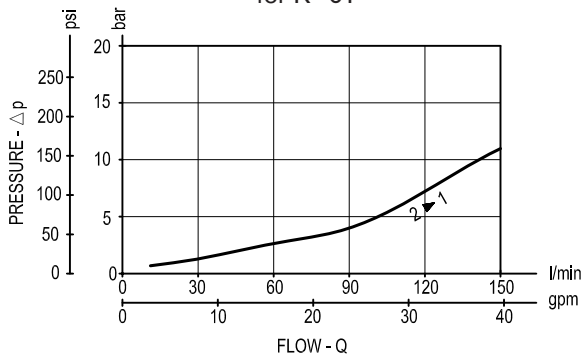
Technical data

Max flow:	up to 150 l/min	(40 gpm)
Max operating pressure for steel body:	350 bar	(5000 psi)
Max operating pressure for aluminium body:	210 bar	(3000 psi)

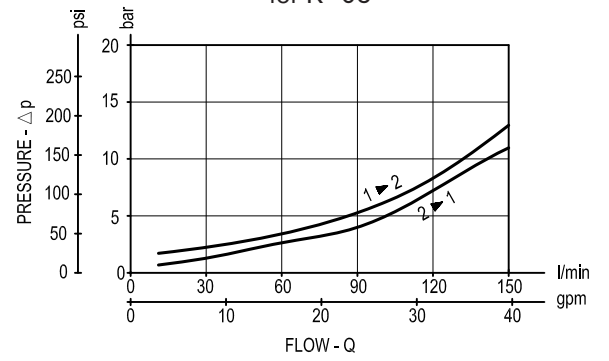
To order only manifold see data sheet RE 18325-85

Performance graphs

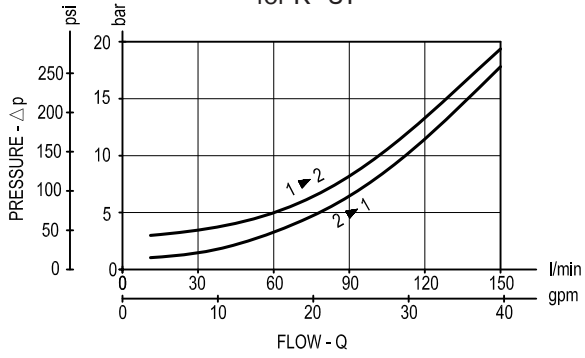
for K=01



for K=05



for K=31



Ordering code

OE.15	K	21	Y	Z	W
-------	---	----	---	---	---

Solenoid operated valve,
2-way 2-positions, normally closed
in emergency manifold

Cartridge scheme (see page 1 and 2)

= 01 Monodirectional

= 05 Bidirectional

= 31

Special cavity 021-E

Manifold material

= 00 Aluminium

= S0 Steel

Port sizes (see table on page 2)

= 04 G 3/4

= 05 G 1

See table on page 2

Preferred types (readily available)

Type	Material number
OE1501213A0500	R934001575
OE1505213A0500	R934001603
OE1531213A0500	R934001647

Type	Material number

Further types available by request